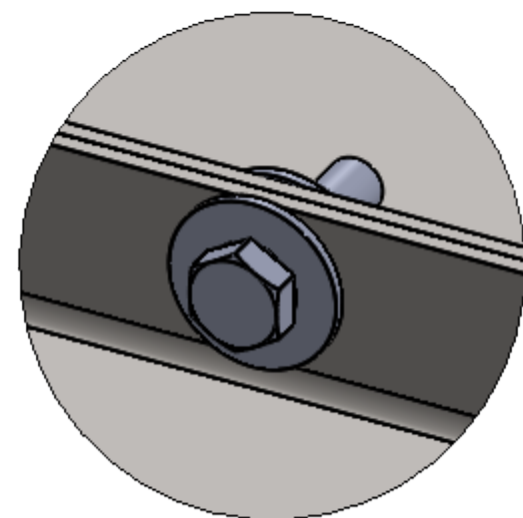


**M8x30, WASHER & NYLOCS
TO JOIN DELUXE TRANSMISSION
HALVES TOGETHER (5 PLACES)**



**DETAIL A
SCALE 1 : 1**

FITTING PROCEDURE

1. ORIENTATE YOURSELF WITH EACH PLATE AND WHERE THEY WILL BE MOUNTED
2. START BY BOLTING THE TRANSFER PLATE IN FIRST, THE SUPPLIED NUTPLATE WILL NEED TO BE INSERTED INTO THE CROSS MEMBER FOR THE FRONT DRIVERS SIDE
3. LOOSELY BOLT THE MIDDLE SUMP PLATE IN PLACE, ONLY PUT ONE BOLT IN THE REAR AS THE TRANSMISSION PLATE WILL GO OVER THE TOP OF THE REAR FOLD
4. BOLT THE TWO HALVES OF THE DELUXE TRANSMISSION PLATE TOGETHER
5. SLIDE NUTPLATES INTO THE LEFT & RIGHT CHASSIS RAILS FOR THE WINGS OF THE TRANSMISSION PLATE
6. LOOSELY BOLT FRONT OF TRANSMISSION PLATE TO CENTRE CROSS MEMBER AND THEN PUT BOLTS THROUGH THE REAR CROSS MEMBERS, BOLT WINGS TO THE NUT PLATES IN THE CHASSIS RAILS
7. BOLT FRONT BRACE TO FRONT PLATE, IF PURCHASED, USING THE CENTRE HOLE WITH BOLT AND NUT (IF YOU HAVE A BULLBAR INFILL PLATE YOU MAY NOT BE ABLE TO USE THIS CENTRE BOLT)
8. LOOSELY BOLT FRONT PLATE & BRACE IN PLACE
9. ALIGN AND SQUARE UP ALL PLATES AND PROCEED TO TIGHTEN ALL BOLTS AND NUTS

**M10x40, LARGE FLAT WASHER,
SPRING WASHER**

**M10x30, FLAT WASHERS
& NYLOC NUT**

**M10x30, LARGE FLAT WASHER,
SPRING WASHER (x2)**

**M10x30, FLAT WASHER,
SPRING WASHER (x5)**

**M10x30, LARGE FLAT WASHER,
SPRING WASHER & NUTPLATE**

**M10x40, LARGE FLAT WASHER,
SPRING WASHER**

**M8x60, FLAT WASHERS,
NYLOC NUT (x2)**

**M10x30, LARGE FLAT WASHER,
SPRING WASHER & NUTPLATE**

**M10x30, LARGE FLAT WASHER,
SPRING WASHER & NUTPLATE**

**M10x30, LARGE FLAT WASHER,
SPRING WASHER (x4)**

PLATE WEIGHTS	3mm	4mm
FRONT PLATE & BRACE	11.2 KG	13.9 KG
SUMP PLATE	6.6 KG	8.8 KG
TRANSMISSION	14.8 KG	19.4 KG
TRANSFER PLATE	4.3 KG	5.7 KG

REVISIONS A: 10/03/23 R. BELL ORIGINAL ISSUE	UNLESS OTHERWISE STATED UNTOLERANCED DIMENSIONS TO BE WITHIN THE LIMITS SHOWN	DRAWN RICHARD BELL	ASSEMBLY AND BOLT DETAILS	SIZE A1	DRAWING No. NUMBER COA-210 REV. A
	NOMINAL SIZE UP TO 50 50 UP TO 150 150 UP TO 300 300 UP TO 1000 1000 ABOVE 1000	APPROVED DATE APPD SCALE 1:3 DO NOT SCALE IF IN DOUBT ASK		TITLE CUSTOM OFFROAD ACCESSORIES NEXT-GEN FORD EVEREST 2022 - 4-CYL BI-TURBO WITH DELUXE TRANSMISSION COMPONENT DETAILS	CUSTOMER PROJECT CAD FILE COA-210-Ford Ranger 2022 Assembly Instructions
	MACHINING ± 0.1 ± 0.2 ± 0.3 ± 0.5 ± 1.0			ALL DIMENSIONS IN MILLIMETRES UNLESS OTHERWISE SPECIFIED	This drawing and any information or descriptive matter set out herein are the confidential and copyright property of CUSTOM OFFROAD ACCESSORIES and must not be disclosed, copied or used for manufacturing / marketing or for any other purpose without the written permission.
	FABRICATION ± 0.5 ± 0.5 ± 0.5 ± 1.0 ± 2.0				
	ASSEMBLIES ± 0.5 ± 0.5 ± 0.5 ± 1.0 ± 2.0				