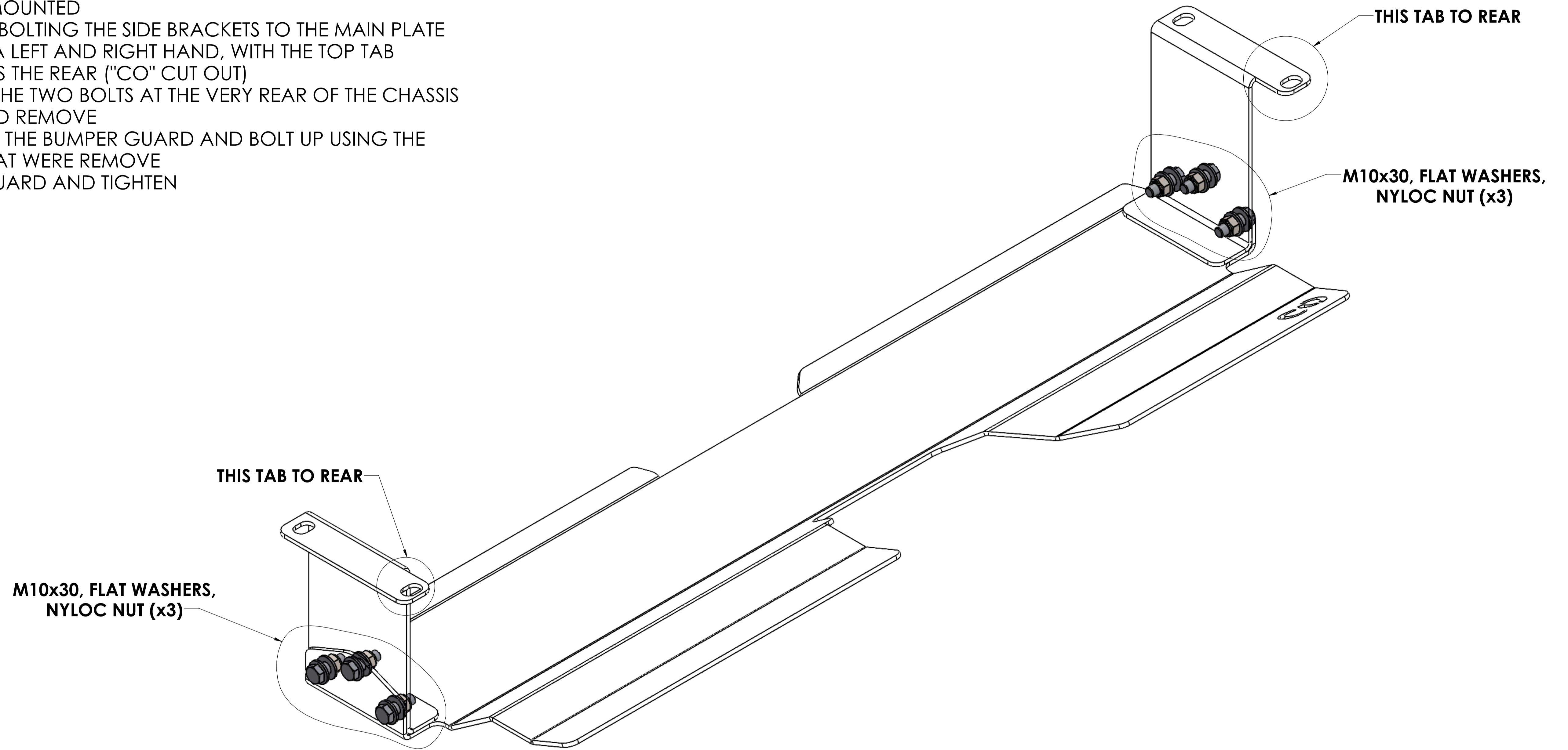


FITTING PROCEDURE

1. ORIENTATE YOURSELF WITH EACH PLATE AND WHERE THEY WILL BE MOUNTED
2. START BY BOLTING THE SIDE BRACKETS TO THE MAIN PLATE
3. THERE IS A LEFT AND RIGHT HAND, WITH THE TOP TAB TOWARDS THE REAR ("CO" CUT OUT)
4. LOCATE THE TWO BOLTS AT THE VERY REAR OF THE CHASSIS RAILS AND REMOVE
5. OFFER UP THE BUMPER GUARD AND BOLT UP USING THE BOLTS THAT WERE REMOVE
6. ALIGN GUARD AND TIGHTEN



4mm PLATE WEIGHTS

BUMPER GUARD ASY 11.7 KG

FITS WITH GENUINE PAJERO TOW BAR

REVISIONS A: 22/02/24 R. BELL ORIGINAL ISSUE	UNLESS OTHERWISE STATED UNTOLERANCED DIMENSIONS TO BE WITHIN THE LIMITS SHOWN					DRAWN	RICHARD BELL	ASSEMBLY AND BOLT DETAILS TITLE CUSTOM OFFROAD ACCESSORIES MITSUBISHI PAJERO (NS to NX) REAR BUMPER GUARD COMPONENT DETAILS ALL DIMENSIONS IN MILLIMETRES UNLESS OTHERWISE SPECIFIED	SIZE	DRAWING No.	
	NOMINAL SIZE	UP TO 50	ABOVE 50 UP TO 150	ABOVE 150 UP TO 300	ABOVE 300 UP TO 1000	CHECKED			A1	NUMBER	REV.
	MACHINING	± 0.1	± 0.2	± 0.3	± 0.5	± 1.0	APPROVED				A
	FABRICATION	± 0.5	± 0.5	± 0.5	± 1.0	± 2.0	DATE APPD			CUSTOMER	
	ASSEMBLIES	± 0.5	± 0.5	± 0.5	± 1.0	± 2.0	SCALE		1:2	PROJECT	
						DO NOT SCALE IF IN DOUBT ASK	CAD FILE		CUSTOM OFFROAD ACCESSORIES		
							CDA-001-Pajero Rear Bumper Guard Assembly Instructions		<small>This drawing and any information or descriptive matter set out herein are the confidential and copyright property of CUSTOM OFFROAD ACCESSORIES and must not be disclosed, copied or used for manufacturing/marketing or for any other purpose without their written permission.</small>		